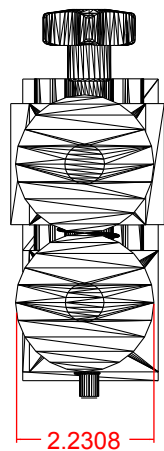
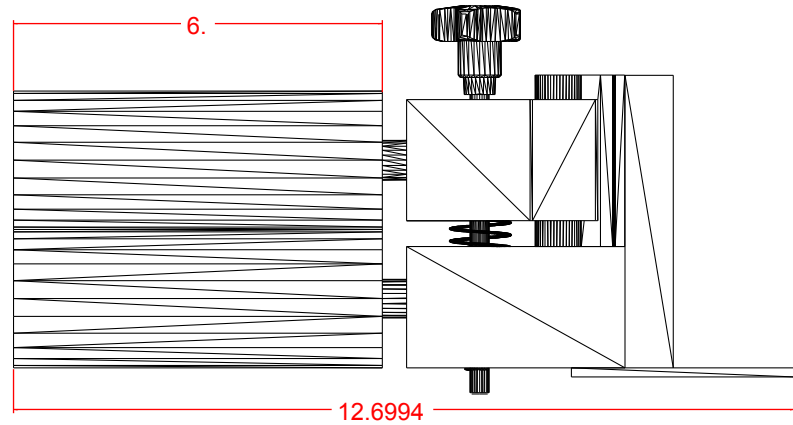
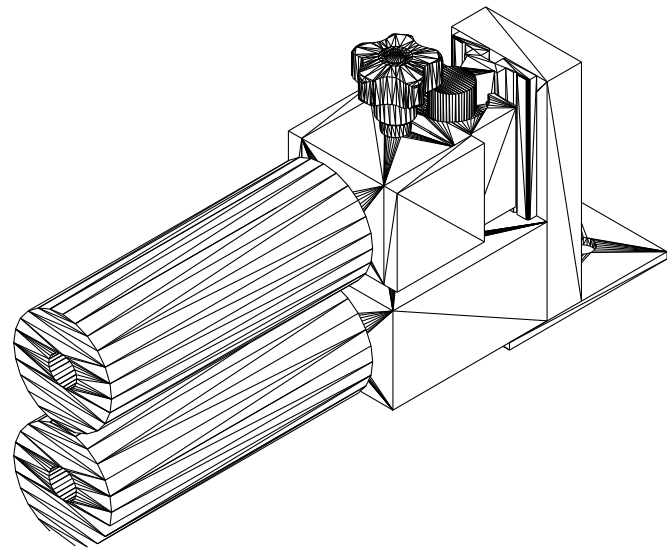
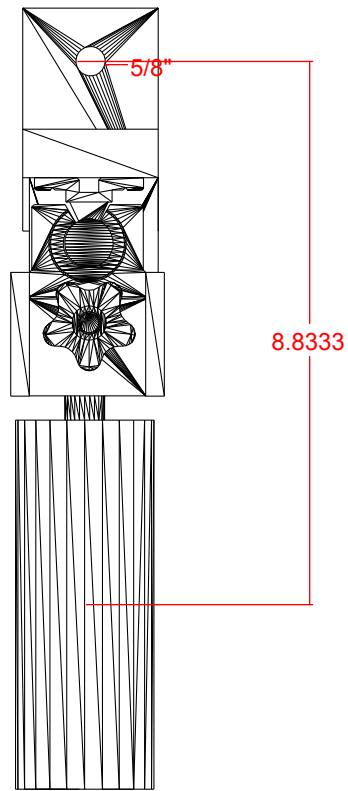


Revisions				Date	Approved
Zone	Rev	Description			



<b>Unless Otherwise Specified:</b>		<b>Name</b>	<b>Date</b>	<b>PARA Company LLC</b>		
Dimensions in Inches		<b>Drawn</b>		<b>Wrinke Pulls</b> 6" Wrinkle Pulls		
Tolerances: Fractional ±		<b>Checked</b>				
Angular: Mach ± Bend ±		<b>ENG Appr.</b>				
Two Place Decimal ±		<b>MFR Appr.</b>				
Three Place Decimal ±		<b>QA</b>				
<b>Material</b> --		<b>Comments</b>		<b>Size</b>	<b>Drawing No.</b>	<b>Rev</b>
<b>Finish</b> --		CAD Generated Drawing Do Not Manually Update		<b>A</b>	<b>170202</b>	<b>A</b>
<b>Do Not Scale Drawing</b>				<b>Scale</b> 1:35	<b>CAD File</b>	<b>Sheet</b> 1 of 1