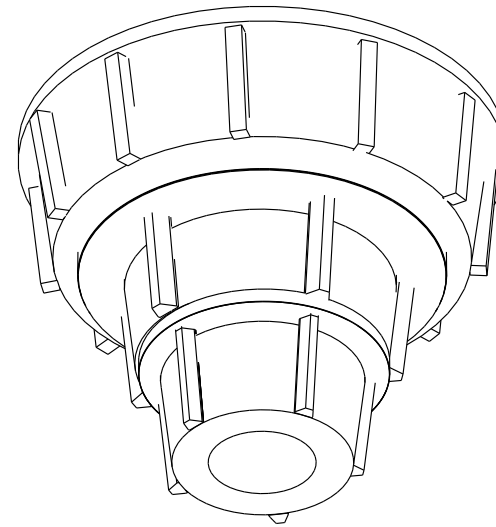
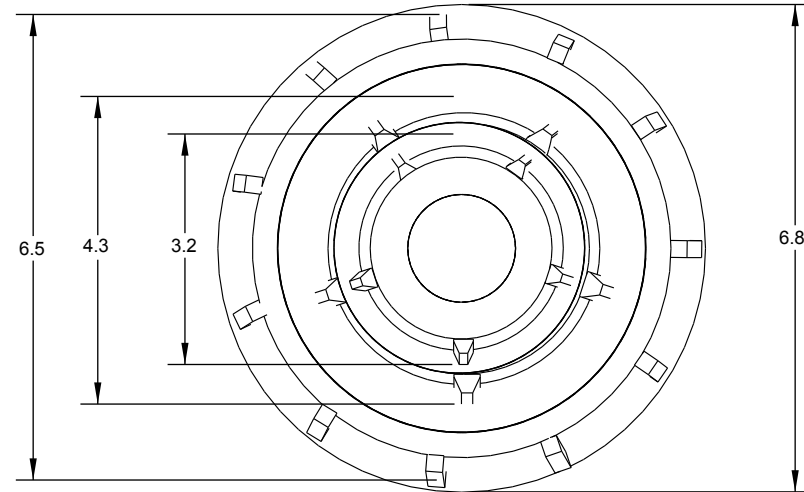
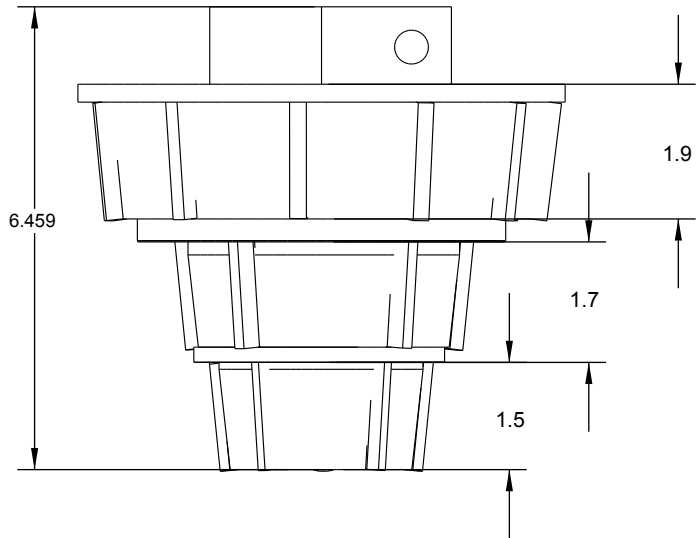


1.504 Thru bore to fit customer journal  
Up to 2".



Exclusive Quick Cam Lock  
Non-marring - secure clamp with 1/4 turn



Title: 171214 Description: 6" / 4" / 3" Core Chuck with 1.5" bore Part No: 171214 Rev: A1 Date: 1/1/17	Drawn By: [Blank] Checked By: [Blank] Approved By: [Blank]	Part No: 171214 Description: 6" / 4" / 3" Core Chuck with 1.5" bore Rev: A1 Date: 1/1/17	Scale: 1:1 Sheet: 1 of 1
--	--	---	-----------------------------